

PTC Creo® Illustrate Essentials™

Communicate complex service and parts information effectively with rich, 3D technical illustrations

The use of 3D illustrations is a rapidly growing opportunity for manufacturers to deliver more effective technical information. Available exclusively through PTC Value Added Resellers, PTC Creo Illustrate Essentials couples superior 3D illustration capabilities with associative CAD data to deliver configuration-specific graphical content used to operate, service, and maintain products that accurately reflects the current product design.

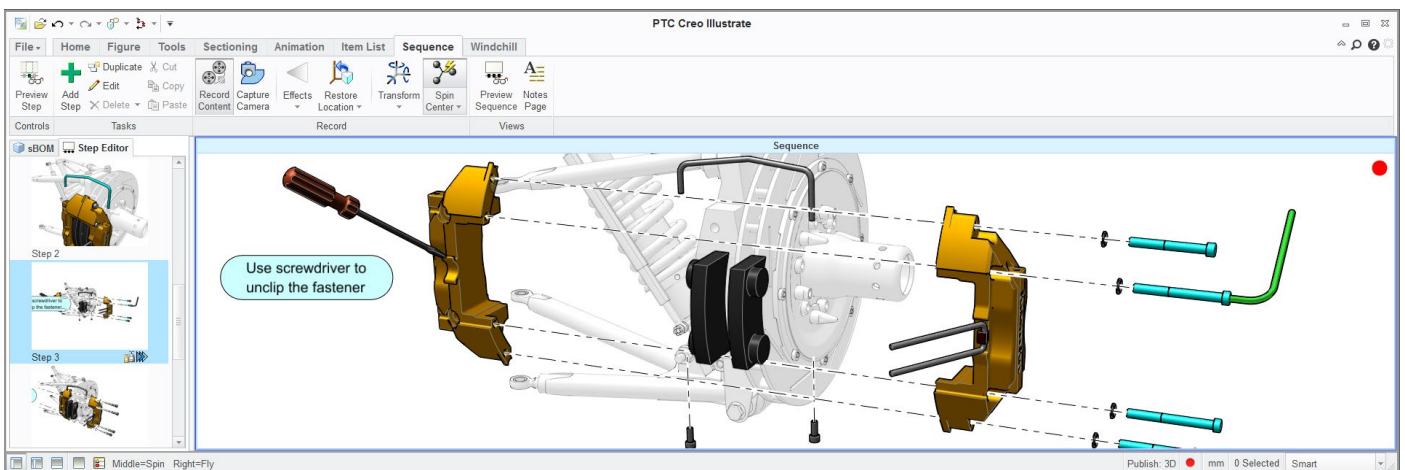
PTC Creo Illustrate Essentials offers a dedicated environment with the capabilities required to create rich, 3D technical illustrations that are used to communicate complex products and procedures clearly and graphically.

Key benefits

Increase service and parts accuracy

- Clearly convey complex information: Create 3D sequences to visually describe complex service procedures for easy consumption

- Reduce translation costs: Replace text with illustrated step-by-step procedures, 3D sequences, illustrated parts lists, and other graphical representations
- Increase illustrator productivity: Automate illustration change management throughout the service information lifecycle by maintaining an associative link to original CAD files
- Automate parts list creation: Generate parts lists and call outs directly from CAD metadata to produce dynamic parts lists



Enhance sequences to better communicate explicit instructions with notes, tools, and symbols inserted from a standard or custom library

Accelerate repair and maintenance times

- Enable easy 3D navigation of service information, based on specific product configurations and user environments
- Provide technicians and users with easy-to-understand 3D technical information that will increase productivity and accuracy globally
- Eliminate wasted time searching for service information in static, generic technical documents

Improve product performance and customer experience

- Deliver interactive training materials and technical information to improve product adoption and customer satisfaction
- Capitalize on growing adoption of 3D devices and applications to deliver advanced 3D product support content that is easy to find and understand

Capabilities and specifications

Illustration tools

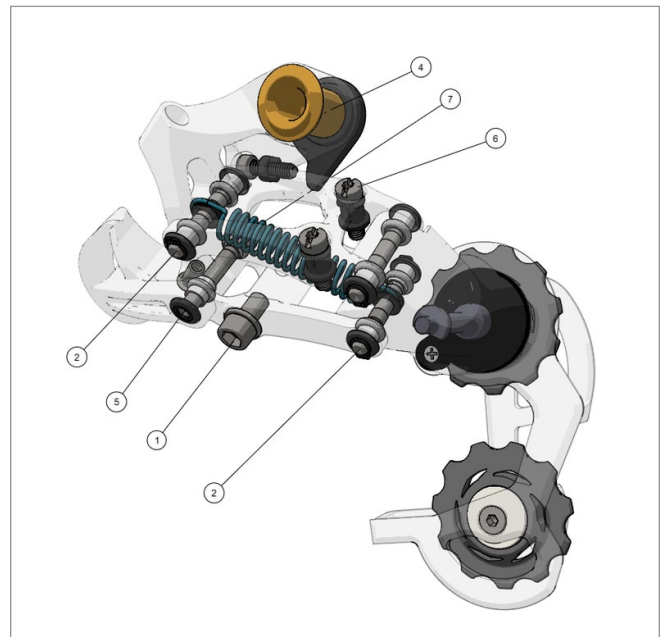
- Ability to create magnifier “inset” views in a figure to create additional detail views from a different camera viewpoint
- Multiple explode lines to easily illustrate complex part registration
- Lighting options that can enhance the illumination of illustrations. These include multiple light sources and the ability to adjust light levels for individual figures
- Publish preview to review sequences before publishing
- Add callouts, text notes, symbols, and other annotations to enhance information
- Add measurements to your illustrations to better describe movements or procedures

2D and 3D publish and export capabilities

- Add color to vector illustrations
- Page size, border format, and figure caption

- Publish vector illustrations from perspective or orthographic views
- Publish all steps from a sequence to 2D or 3D formats with a single click
- Publish to multiple 3D, 2D vector, and 2D raster formats

Sequencer capabilities



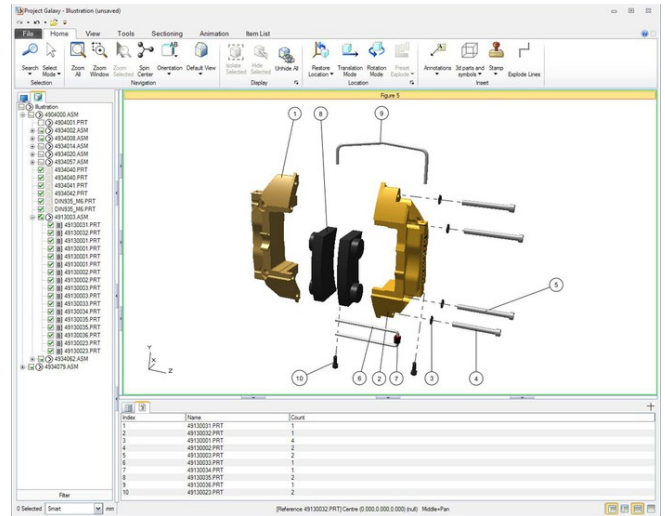
Apply and update call outs automatically as changes occur during the illustration process.

- Illustrate a procedure with sequenced steps
- Ability to utilize 3D illustration, textual description and required resources in each step
- Descriptions and resources automatically added from tagged symbols
- Drag and drop to re-order steps within the sequence
- Publish to interactive 3D or static 2D formats

Repurpose CAD for up-to-date 3D technical illustrations

- Easily create 3D technical illustrations by importing design data from all major CAD systems

- Leverage PTC Creo View™ ‘Adapter’ technology to quickly convert essential engineering design data, regardless of its origin, into a readily accessible format for 3D illustration
- Interpret leading formats such as PTC Creo and PTC CADD5® 5, as well as other neutral formats such as STEP, IGES, VRML, and STL
- Leverage additional CAD formats such as JT, Catia® V4, I-deas, SolidWorks®, and Unigraphics® with adapters available for an additional cost
- Import one or more assemblies from original CAD sources and merge and assemble them into a single illustration file
- Maintain an associative link with original CAD files, on local disk or on a PTC Windchill® server, to automate the 3D illustration change process when the engineering design is modified



Leverage CAD product structures to dynamically generate parts lists with call outs and maintain associativity with engineering model to automate changes when product design changes occur.

- Drop in extra columns based on model metadata and add description fields to the parts table
- Customize call out styles quickly and easily
- Publish illustrated parts lists quickly using your own custom delivery application based on PTC Creo View Express

Illustrate multiple figures in a single illustration file

- Author multiple figures per illustration file, repurposing the same model geometry in each figure
- Create new figures from scratch or duplicate a previous static or sequenced figure
- Document step-by-step service procedures with multiple sequential illustration steps within a single figure

Generate illustrated parts lists and call outs

- Create an interactive parts list that reflects the structure of the sBOM, representing the entire bill of materials or a subset
- Repurpose engineering CAD metadata to produce dynamic parts list information quickly and accurately
- Generate and apply call outs from parts lists automatically
- Dynamically link call outs to the parts and enable cross selection between the call out balloon, model object, and parts list line item

Illustrate dynamic sectioning to present internal assembly components

- Section components on a single plane or quarter-cut to produce dynamic section views of a CAD model
- Leverage section views within 3D technical illustrations
- Apply sections to the entire model or, for more complex designs, to a subset of components

Automate illustration change management throughout the service information lifecycle

- Maintain associativity with engineering data to automate change processes when design changes occur throughout the product lifecycle
- Integrate with PTC Windchill, PTC Creo, and PTC Arbortext products to enable enterprise-wide delivery of 3D service and parts information

Language support

- English, German, French, Italian, Spanish, Chinese (Simplified and Traditional), Japanese, Korean, and Russian

NOTE: Available exclusively through PTC Value Added Resellers.

Platform support and system requirements

Please visit the [PTC support page](#) for the most up-to-date platform support and system requirements.

© 2014, PTC Inc. All rights reserved. Information described herein is furnished for informational use only, is subject to change without notice, and should not be taken as a guarantee, commitment, condition or offer by PTC. PTC, the PTC logo, Product & Service Advantage, Creo, Elements/Direct, Windchill, Mathcad, Arbortext, PTC Integrity, Servigistics, ThingWorx, ProductCloud and all other PTC product names and logos are trademarks or registered trademarks of PTC and/or its subsidiaries in the United States and other countries. All other product or company names are property of their respective owners.

J4382-PTC Creo Illustrate Essentials-DS-EN-1214